



SINGLE PHASE BRIDGE RECTIFIER

W005M THRU W10M

VOLTAGE RANGE
CURRENT

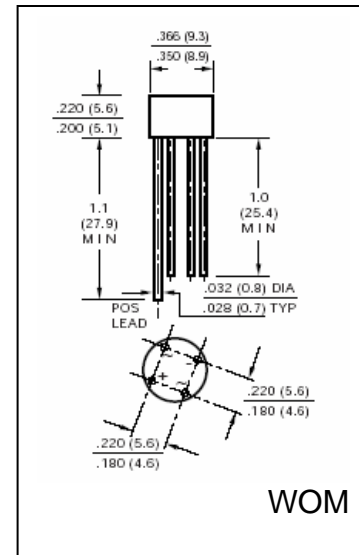
50 to 1000 Volts
1.5 Ampere

FEATURES

- Plastic package has UL flammability Classification 94V-0
- This series UL recognized
- High Surge current capability
- High temperature soldering guaranteed: 260°C / 10 seconds

MECHANICAL DATA

- Case: Molded plastic body
- Terminal: Plated leads solderable per MIL-STD-202E method 208C
- Mounting position: Any
- Weight: 0.042 ounce, 1.2 gram



MAXIMUM RATINGS AND ELECTRICAL CHARACTERISTICS

- Ratings at 25°C ambient temperature unless otherwise specified
- Single Phase, half wave, 60Hz, resistive or inductive load
- For capacitive load derate current by 20%

	SYMBOLS	W 005M	W 01M	W 02M	W 04M	W 06M	W 08M	W 10M	UNIT
Maximum Repetitive Peak Reverse Voltage	V_{RRM}	50	100	200	400	600	800	1000	Volts
Maximum RMS Voltage	V_{RMS}	35	70	140	280	420	560	700	Volts
Maximum DC Blocking Voltage	V_{DC}	50	100	200	400	600	800	1000	Volts
Maximum Average Forward Rectified Current, At $T_C = 25^\circ C$ (Note 1)	$I_{(AV)}$	1.5							Amps
Peak Forward Surge Current 8.3ms single half sine wave superimposed on rated load (JEDEC method)	I_{FSM}	50							Amps
Rating for Fusing ($t < 8.3ms$)	I^2t	10							A^2s
Maximum Instantaneous Forward Voltage per element at 1.0A	V_F	1.0							Volts
Maximum DC Reverse Current at Rated DC Blocking Voltage per element	I_R	10							μA
		500							
Typical Junction Capacitance, per leg (Measured at 1.0MHz and applied reverse voltage of 4.0V)	C_J	15							pF
Typical Thermal Resistance per leg (Note 1)	$R_{\theta JA}$	40							$^\circ C/W$
Operating Junction Temperature Range	T_J	(-55 to +125)							$^\circ C$
Storage Temperature Range	T_{STG}	(-55 to +150)							$^\circ C$

Notes:

1. Mounted on PCB with 0.22" x 0.22" (5.5mm x 5.5mm) copper pads and 0.375" (9.5mm) lead length



RATINGS AND CHARACTERISTIC CURVES W005M THRU W10M

FIG.1-DERATING CURVE FOR
OUTPUT RECTIFIED CURRENT

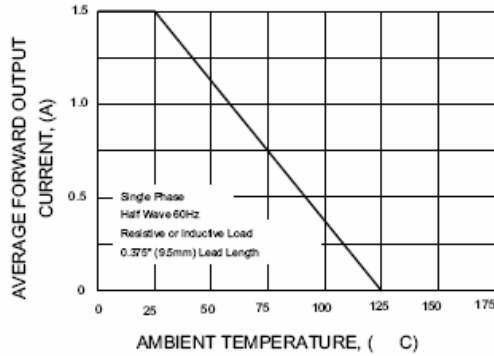


FIG.2-MAXIMUM NON-REPETITIVE PEAK
FORWARD SURGE CURRENT PER ELEMENT

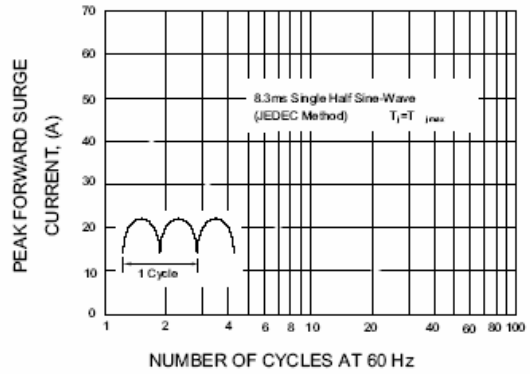


FIG.3-TYPICAL FORWARD CHARACTERISTICS
PER BRIDGE ELEMENT

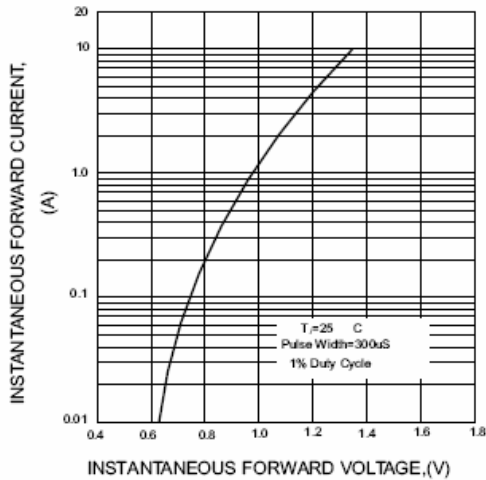


FIG.4-TYPICAL REVERSE CHARACTERISTICS
PER BRIDGE ELEMENT

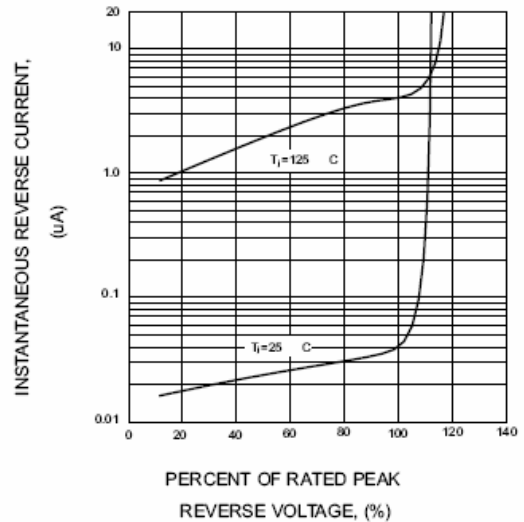


FIG.5-TYPICAL JUNCTION CAPACITANCE
PER BRIDGE ELEMENT

