

## Fast Speed switching Diode

## MMSD914

### FEATURES

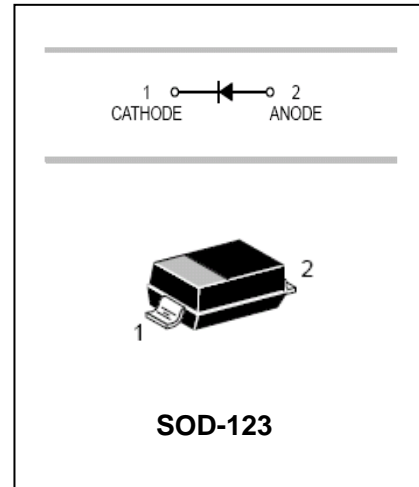
- SOD-123 surface mount package.
- High breakdown voltage.
- Fast speed switching time.

### APPLICATIONS

- Surface mount fast switching diode

### ORDERING INFORMATION

Type No.	Marking	Package Code
MMSD914	5D	SOD-123



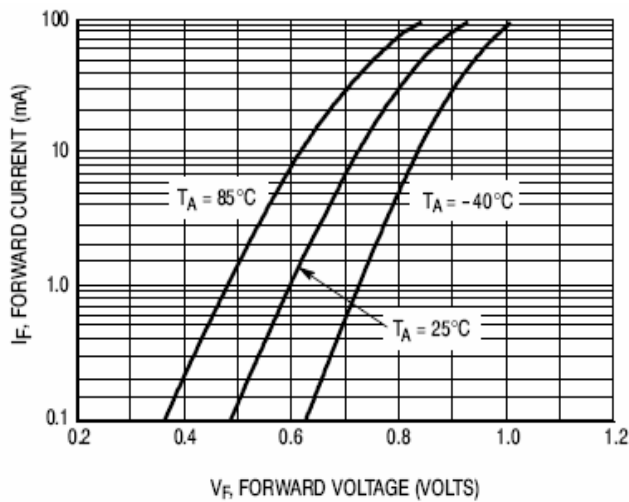
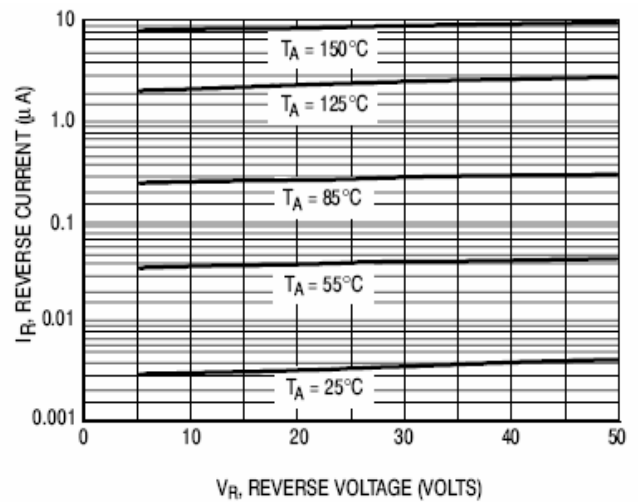
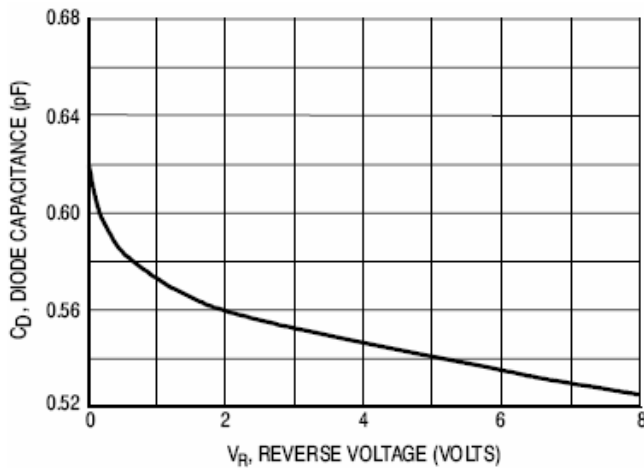
### MAXIMUM RATING @ Ta=25°C unless otherwise specified

Characteristic	Symbol	Value	Unit
Maximum repetitive reverse voltage	$V_{RRM}$	100	V
Continuous reverse Voltage	$V_R$	100	V
Average Rectified Forward Current	$I_{F(AV)}$	200	mA
Peak Forward Surge Current	$I_{FSM}$	1.0 2.0	A
	@t=1s @t=1ms		
Power Dissipation	$P_d$	400	mW
Thermal Resistance, Junction to Ambient	$R_{\theta JA}$	312	°C/W
Storage Temperature Range	$T_{STG}$	-55 to+150	°C
Operating Junction Temperature	$T_j$	150	°C

## Fast Speed switching Diode

**MMSD914**
**ELECTRICAL CHARACTERISTICS @ Ta=25°C unless otherwise specified**

Characteristic	Symbol	Min	Max	Unit	Test Condition
Reverse Breakdown Voltage	$V_{(BR)R}$	100 75		V	$I_R=100\mu A$ $I_R=5.0\mu A$
Forward Voltage	$V_F$		1.0	V	$I_F=10mA$
Reverse Current	$I_R$		25 5.0	nA $\mu A$	$V_R=20V$ $V_R=75V$
Diode Capacitance	$C_D$	-	4.0	pF	$V_R=0, f=1.0MHz$
Reverse Recovery Time	$t_{rr}$	-	4.0	ns	$I_F=10mA, V_R=6.0V,$ $I_{RR}=1.0mA, R_L=100\Omega$

**TYPICAL CHARACTERISTICS @ Ta=25°C unless otherwise specified**

**Figure 1. Forward Voltage**

**Figure 2. Leakage Current**

**Figure 3. Capacitance**

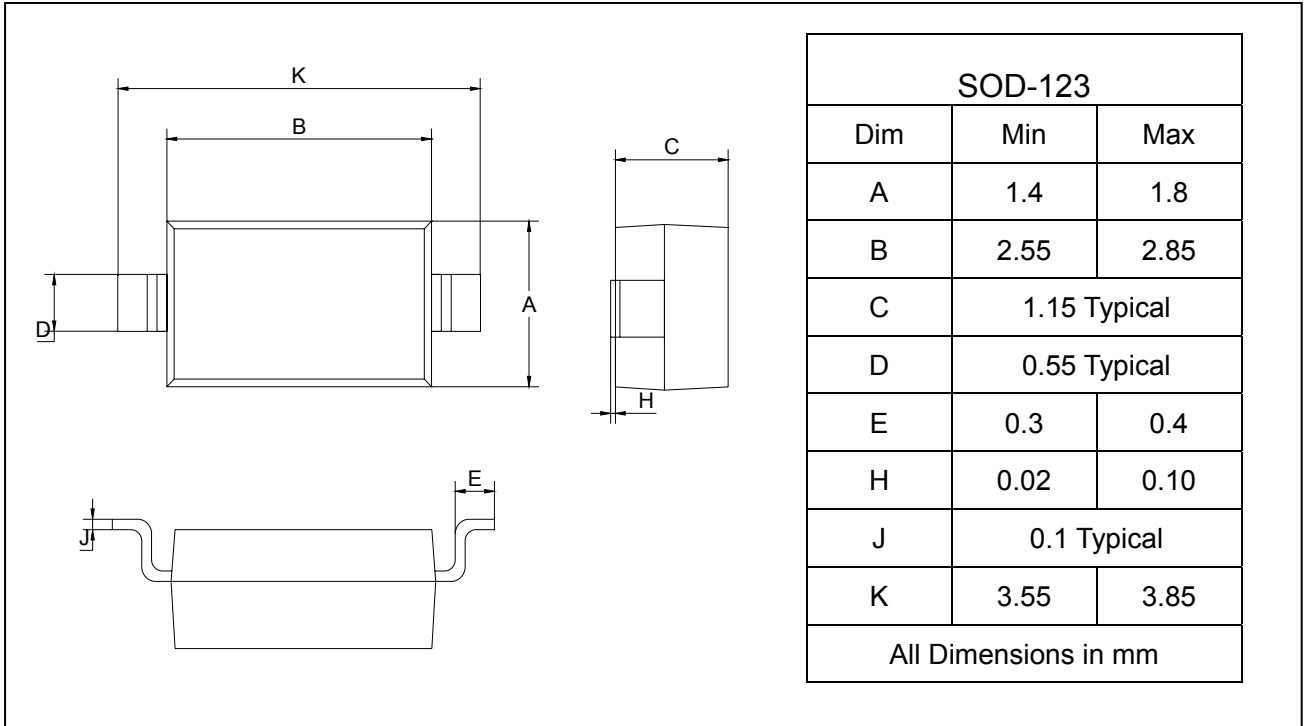
# Fast Speed switching Diode

# MMSD914

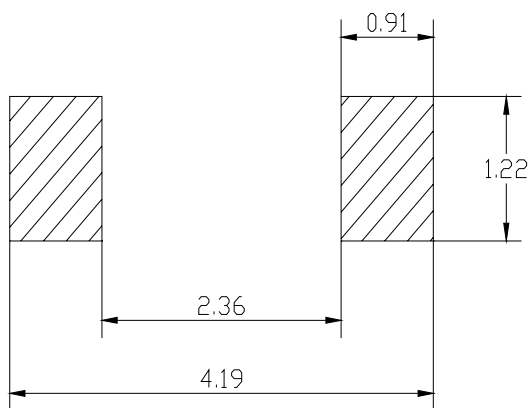
## PACKAGE OUTLINE

Plastic surface mounted package

SOD-123



## SOLDERING FOOTPRINT



Unit: mm

## PACKAGE INFORMATION

Device	Package	Shipping
MMSD914	SOD-123	3000/Tape&Reel