

SOT-23 Plastic-Encapsulate Diodes

BAV199LT1 SWITCHING DIODE

FEATURES

Power dissipation

P_D : 225 mW ($T_{amb}=25^\circ\text{C}$)

Forward Current

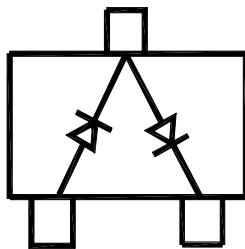
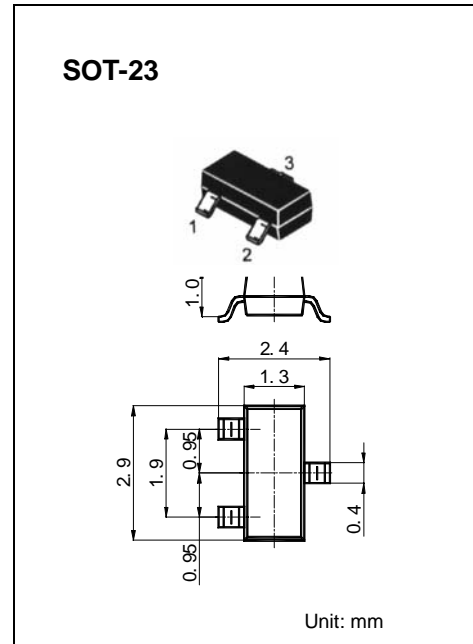
I_F : 215 mA

Reverse Voltage

V_R : 70 V

Operating and storage junction temperature range

T_J, T_{stg} : -55°C to $+150^\circ\text{C}$



Marking JY

ELECTRICAL CHARACTERISTICS ($T_{amb}=25^\circ\text{C}$ unless otherwise specified)

Parameter	Symbol	Test conditions	MIN	MAX	UNIT
Reverse breakdown voltage	$V_{(BR)}$	$I_R=100\mu\text{A}$	70		V
Reverse voltage leakage current	I_R	$V_R=70\text{V}$		5	nA
Forward voltage	V_F	$I_F=1\text{mA}$ $I_F=10\text{mA}$ $I_F=50\text{mA}$ $I_F=150\text{mA}$		900 1000 1100 1250	mV
Diode capacitance	C_D	$V_R=0\text{V}, f=1\text{MHz}$		2	pF
Reverse recovery time	t_{rr}			3	μS